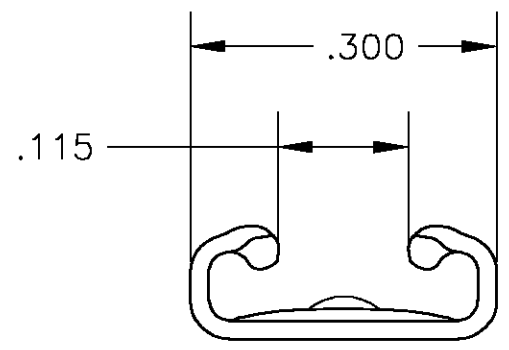
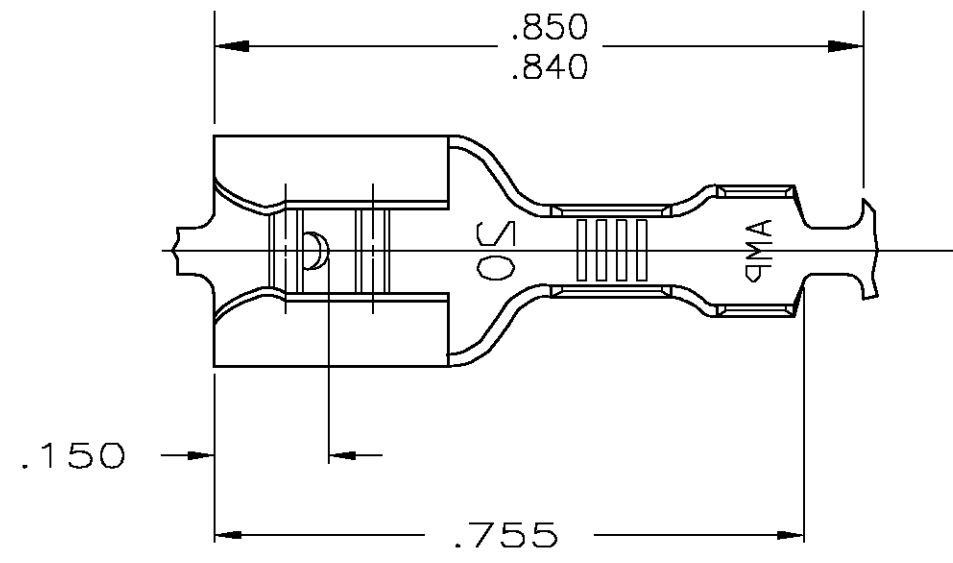


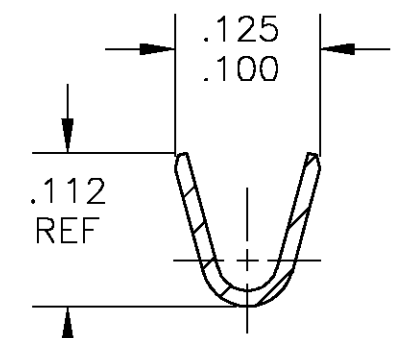
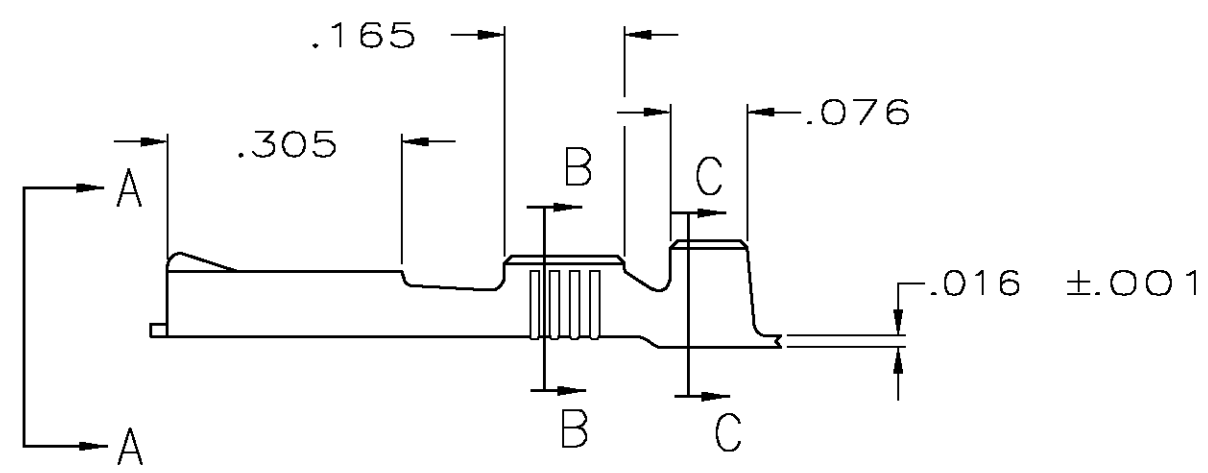
THIS DRAWING IS UNPUBLISHED. RELEASED FOR PUBLICATION  
 © COPYRIGHT BY TYCO ELECTRONICS CORPORATION. ALL RIGHTS RESERVED.

LOC	DIST	REVISIONS					
		P	LTR	DESCRIPTION	DATE	DWN	APVD
AF	50		G	REV PER 0G3A-0690-03	05JAN04	JR	PD

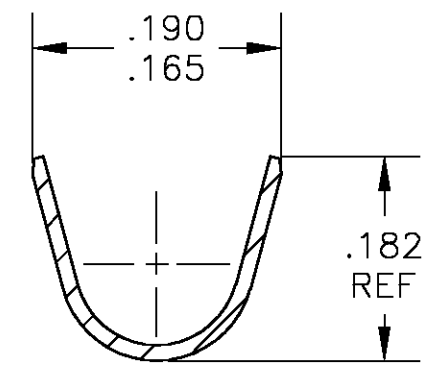
- 1 - CONTINUOUS STRIP ON REELS.
- 2 - WIRE SIZE 22-18 AWG
- 3 - INSULATION RANGE .090-.130 DIA
- 4 - MATING TAB THK IS .032±.001



VIEW A-A



SECTION B-B



SECTION C-C

TIN	42743-2
—	42743-1
FINISH	PART NO

THIS DRAWING IS A CONTROLLED DOCUMENT.		DWN	JR RUTH	5-14-86	Tyco Electronics Corporation City, State, Zip								
DIMENSIONS: INCHES		CHK	G YETTER	5-16-86									
		APVD	C MEYERS	5-16-86									
TOLERANCES UNLESS OTHERWISE SPECIFIED:		PRODUCT SPEC	—										
0 PLC ± - 1 PLC ± - 2 PLC ± - 3 PLC ± .015 4 PLC ± - ANGLES ± -		APPLICATION SPEC	114-2036		NAME	.250 SERIES FASTON RECEPTACLE							
MATERIAL	4M BRASS	FINISH	SEE ABOVE		SIZE	A3	CAGE CODE	00779	DRAWING NO	C-42743	RESTRICTED TO	—	
CUSTOMER DRAWING					WEIGHT	—		SCALE	4:1	SHEET	1 OF 1	REV	G